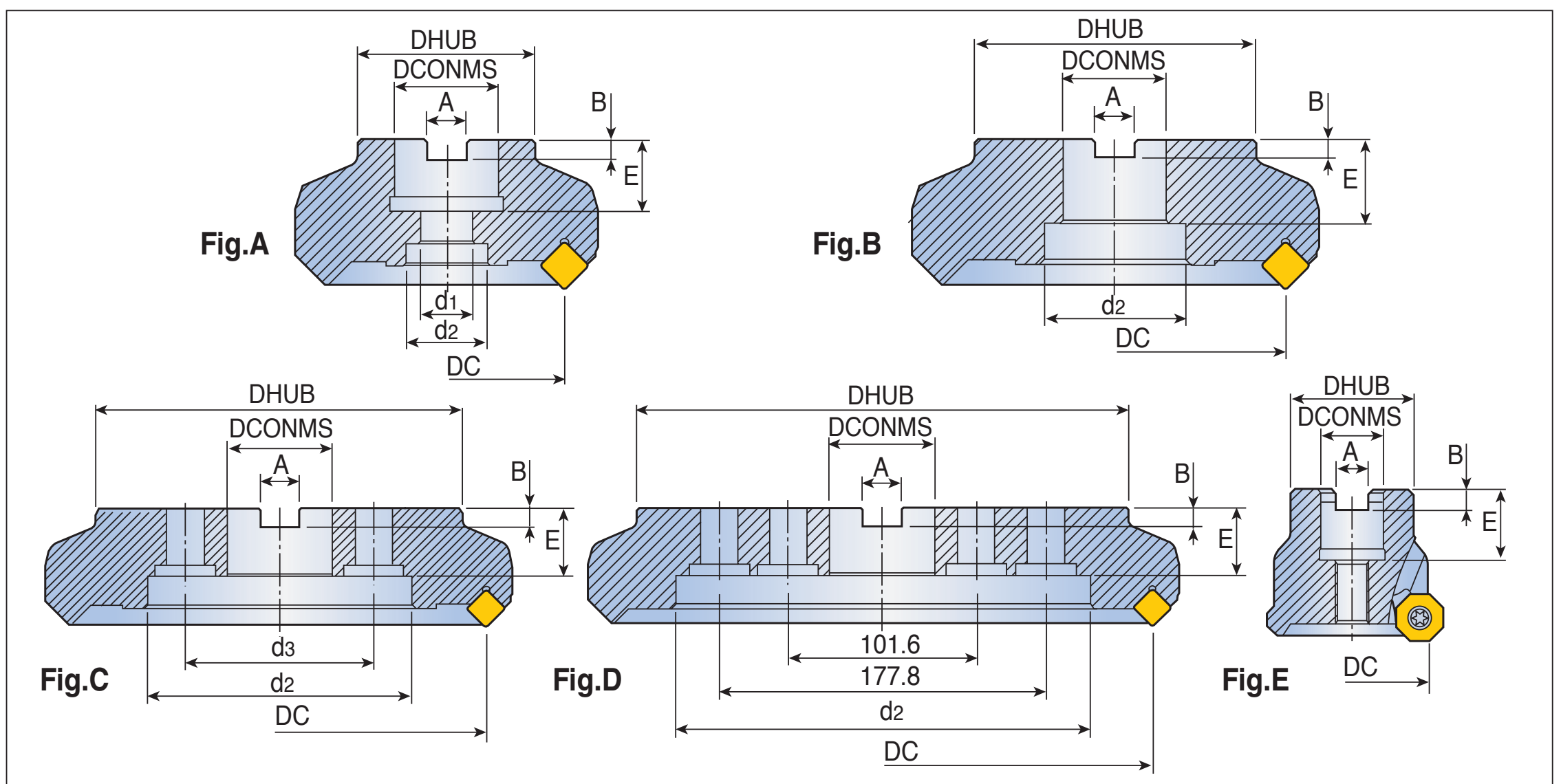


Mounting Reference

Arbor style



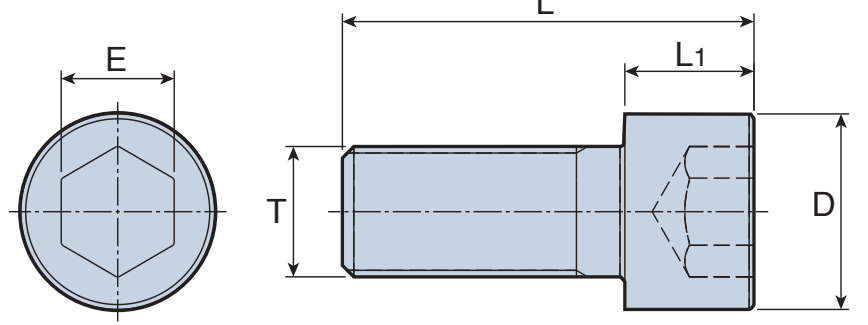
Dimension (mm)										Fig.	Arbor
DC	DCONMS	A	B	E	DHUB		d1	d2	d3		
					For mold & die	For general					
32	16	8.4	5.6	20	30	-	-	-	-	E	SEM16
32	16	8.4	5.6	20	30	-	9	13.5	-	A	SEM16
40	16	8.4	5.6	20	38	-	9	13.5	-	A	SEM16
40	22	10.4	6.3	22	38	-	11	17	-	A	SEM22
50	22	10.4	6.3	22	40	45	11	17	-	A	SEM22
63	22	10.4	6.3	22	47	-	11	17	-	A	SEM22
80	25.4	9.526	6	26	-	70	13	20	-	A	FMA25.4
80	27	12.4	7	28	58	70	13	22	-	A	SEM27
100	31.75	12.7	8	32	-	80	18	26	-	A	FMA31.75
100	31.75	12.7	8	32	-	80	-	46	-	B	FMA31.75
100	32	14.4	8	26	66	85	18	26	-	A	SEM32
100	32	14.4	8	26	66	85	-	46	-	B	SEM32
125	38.1	15.875	10	38	80	-	-	56	-	B	FMA38.1
125	40	16.4	9	32	85	-	22	32	-	A	SEM40
125	40	16.4	9	32	85	-	-	56	-	B	SEM40
160	40	16.4	9	32	110	-	-	90	66.7	C	FM40
160	50.8	19.05	11	38	100	-	-	72	-	B	FMA50.8
200	47.625	25.4	14	38	130	-	-	132	101.6	C	FMA47.625
200	60	25.7	14	40	130	-	-	132	101.6	C	FM60
250	47.625	25.4	14	38	160	-	-	150	101.6	C	FMA47.625
250	60	25.7	14	40	160	-	-	150	101.6	C	FM60
315	47.625	25.4	14	38	220	-	-	224	-	D	-
315	60	25.7	14	40	220	-	-	220	-	D	-

Mounting bolt

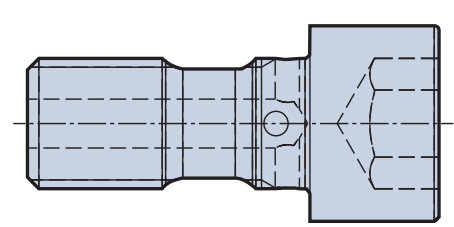
SH type

Designation	Dimension (mm)					Cutter size
	D	L	L1	T	E	
SH M8x1.25x25(-C)	13	33	8	8	6	32,40
SH M8x1.25x30(-C)	13	38	8	8	6	32,40
SH M8x1.25x35(-C)	13	43	8	8	6	32,40
SH M10x1.5x30(-C)	16	40	10	10	8	50, 63
SH M12x1.75x35(-C)	18	47	12	12	10	80
SH M16x2x35(-C)	24	51	16	16	14	100
SH M20x2.5x40(-C)	30	60	20	20	17	125

► "-C": Bolt with hole for internal coolant



SH

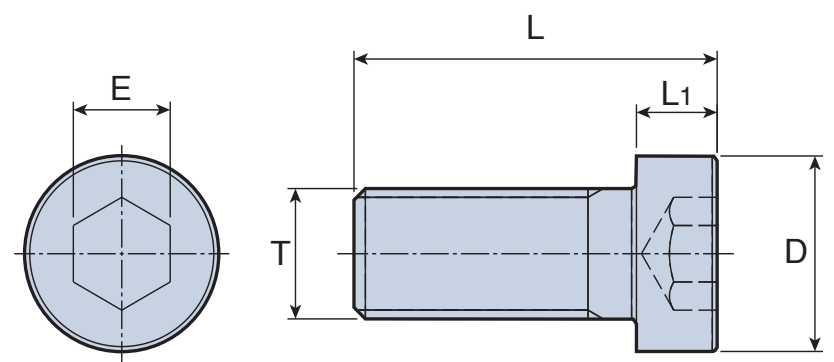


SH-C

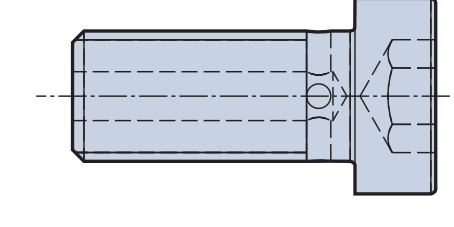
LH type

Description	Dimension (mm)					Cutter size
	D	L	L1	T	E	
LH M10x1.5x25(-C)	16	31.5	6.5	10	8	50, 63
LH M12x1.75x30(-C)	18	36.9	6.9	12	8	80
LH M16x2x35(-C)	24	45	10	16	12	100

► "-C": Bolt with hole for internal coolant



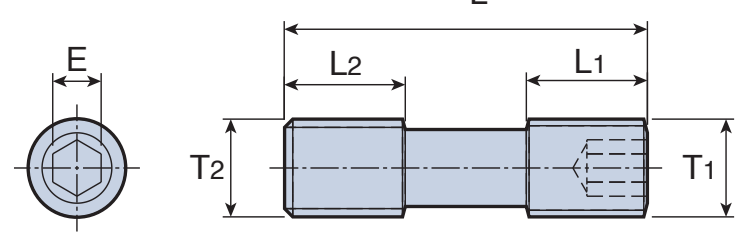
LH



LH-C

KTB, TCS type

Description	Dimension (mm)					
	L	L1	L2	T1	T2	E
KTB 32B	30	10	10	M8X1.0	M8X1.25	4
TCS10-40	40	10	15	M10X1.25	M10X1.5	5



KTB, TSC

Recommended clamping torque for each screw

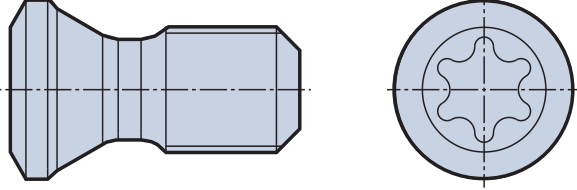


Fig.1

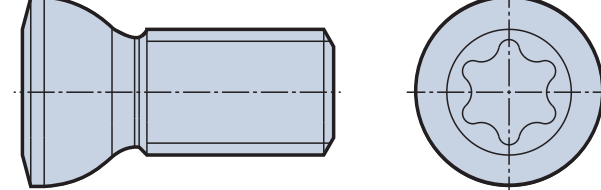
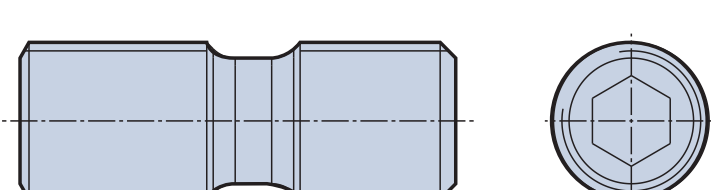
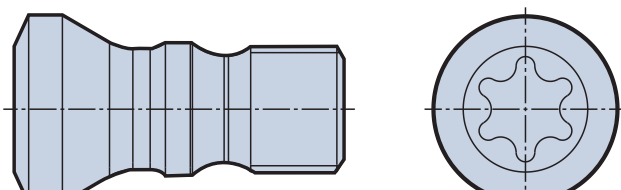


Fig.2

Designation	Thread	Length	Torx	Tightening Torque	Fig.
TS 18033/HG-P	M1.8	3.3	Torx Plus 6	0.5 Nm	1
TS 18041/HG	M1.8	4.09	Torx Plus 6	0.5 Nm	1
TS 18041/SG-P	M1.8	4.09	Torx Plus 6	0.5 Nm	1
TS 20043I/HG-P	M2	4.3	Torx Plus 6	0.6 Nm	1
TS 22046I	M2.2	4.6	Torx 7	0.9 Nm	1
TS 22052I/HG	M2.2	5.2	Torx 7	0.9 Nm	1
TS 25055I/HG	M2.5	5.5	Torx 8	1.2 Nm	1
TS 25075I/HG	M2.5	7.5	Torx 8	1.2 Nm	1
TS 25064I	M2.5	6.4	Torx 8	1.2 Nm	1
TS 25064I/HG-P	M2.5	6.4	Torx Plus 8	1.2 Nm	1
TS 25B024I/HG	M2.5	2.6	Torx Plus 7	0.9 Nm	1
TS 25B031I/HG	M2.5	3.3	Torx Plus 7	0.9 Nm	1
TS 25B042I/HG	M2.5	4.35	Torx Plus 7	0.9 Nm	1
TS 25B053I/HG	M2.5	5.45	Torx Plus 7	0.9 Nm	1
TS 25C065I/HG	M2.5	6.5	Torx 8	1.2 Nm	2
TS 30085I/HG	M3	8.5	Torx 9	2.0 Nm	1
TS 30A060I/HG	M3	6	Torx 9	2.0 Nm	1
TS 30B068I/HG	M3	6.8	Torx 8	1.2 Nm	1
TS 30D082-P	M3	8.2	Torx Plus 8	1.2 Nm	1
TS 35070I/HG	M3.5	7	Torx 15	3.0 Nm	1
TS 35085I/HG	M3.5	8.75	Torx 15	3.0 Nm	1
TS 35088I	M3.5	8.75	Torx 10	2.0 Nm	1
TS 35A070I/HG	M3.5	7	Torx Plus 10	2.0 Nm	1
TS 35A088I/HG	M3.5	8.75	Torx Plus 10	2.0 Nm	1
TS 35C110I	M3.5	11	Torx 15	3.0 Nm	2
TS 40085I/HG	M4	8.5	Torx 15	3.5 Nm	1

Designation	Thread	Length	Torx	Tightening Torque	Fig.
TS 40093I	M4	9.3	Torx 15	3.5 Nm	1
TS 40093I/HG	M4	9.3	Torx 15	3.5 Nm	1
TS 40097I	M4	9.7	Torx 15	3.5 Nm	1
TS 40120I	M4	12	Torx 15	3.5 Nm	1
TS 40120I/HG	M4	12	Torx 15	3.5 Nm	1
TS 40A100I	M4	10	Torx 15	3.5 Nm	1
TS 40A115I	M4	11.5	Torx 15	3.5 Nm	1
TS 40B100I	M4	10	Torx 15	3.5 Nm	2
TS 40G110I	M4	11	Torx 15	3.5 Nm	1
TS 40M100/HG	M4	10	Torx 15	3.5 Nm	2
TS 40K535I	M4	5.35	Torx 15	3.5 Nm	1
TS 40K065I	M4	6.5	Torx 15	3.5 Nm	1
TS 40K075I	M4	7.5	Torx 15	3.5 Nm	1
TS 40K085I	M4	8.5	Torx 15	3.5 Nm	1
TS 45120I	M4.5	12	Torx 20	5.0 Nm	2
TS 50105I	M5	10.5	Torx 20	5.0 Nm	1
TS 50115I	M5	11.5	Torx 20	5.0 Nm	1
TS 50A140I	M5	14	Torx 20	5.0 Nm	1
TS 50A121I/HG	M5	12.1	Torx 20	5.0 Nm	1
TS 50B106I/HG	M5	10.6	Torx 20	5.0 Nm	1
TS 50C130I/HG	M5	13	Torx 20	5.0 Nm	2
TS 50D130/HG-P	M5	13	Torx Plus 20	5.0 Nm	1
TS 60A130I	M6	13.5	Torx 25	6.0 Nm	2
TS 60A165I	M6	16.5	Torx 25	6.0 Nm	2
TS 60170I	M6	17	Torx 25	6.0 Nm	1



Designation	Thread	Length	Torx	Tightening Torque
TS 20F060A	M2	5	Torx 6	0.7 Nm
TS 25F080A	M2.5	6.9	Torx 8	1.1 Nm
TS 30F100A	M3	8.3	Torx 10	2.0 Nm
TS 40F120A	M4	10.6	Torx 15	4.0 Nm
TS 50F160A	M5	13.9	Torx 20	5.0 Nm
TS 60F200A	M6	16.7	Torx 25	6.0 Nm
TS 70F250A	M7	21	Torx 25	7.0 Nm
TS 80F300A	M8	25	Torx 30	8.0 Nm

Designation	Thread	Length	Torx	Tightening Torque
WS 4	M4	12.5	Hexa 2.0mm	1.5 Nm
WS 5	M5	14	Hexa 2.5mm	3.3 Nm
WS 6	M6	15	Hexa 3mm	5 Nm
WS 8	M8	21	Hexa 4mm	7 Nm