

Quick Change Cutter

► Quick change cutter adapter

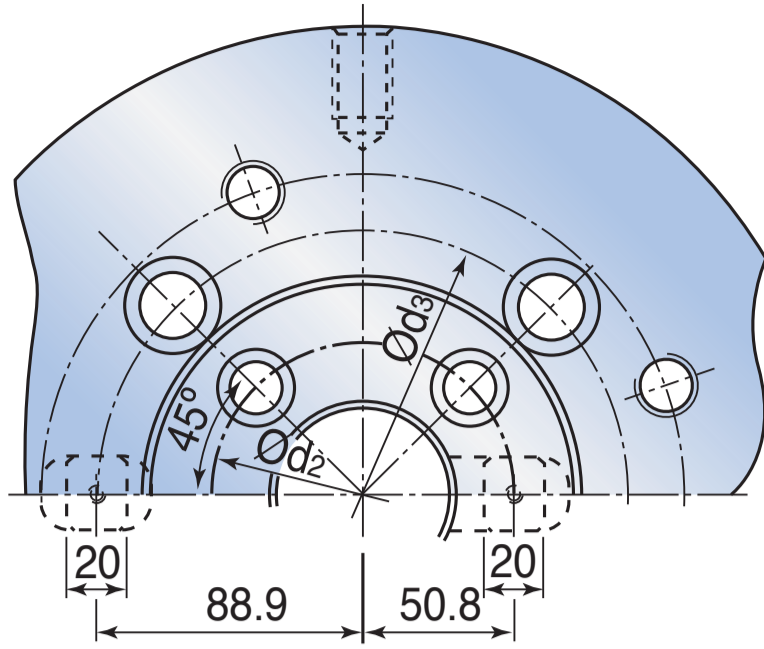


Fig.1

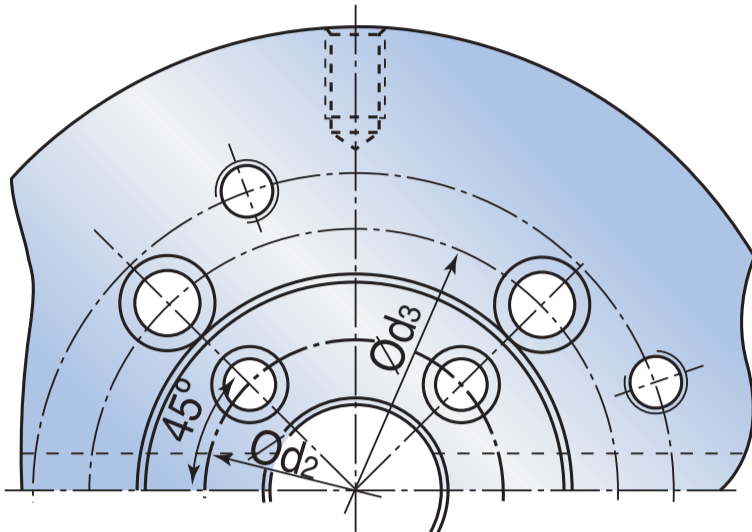
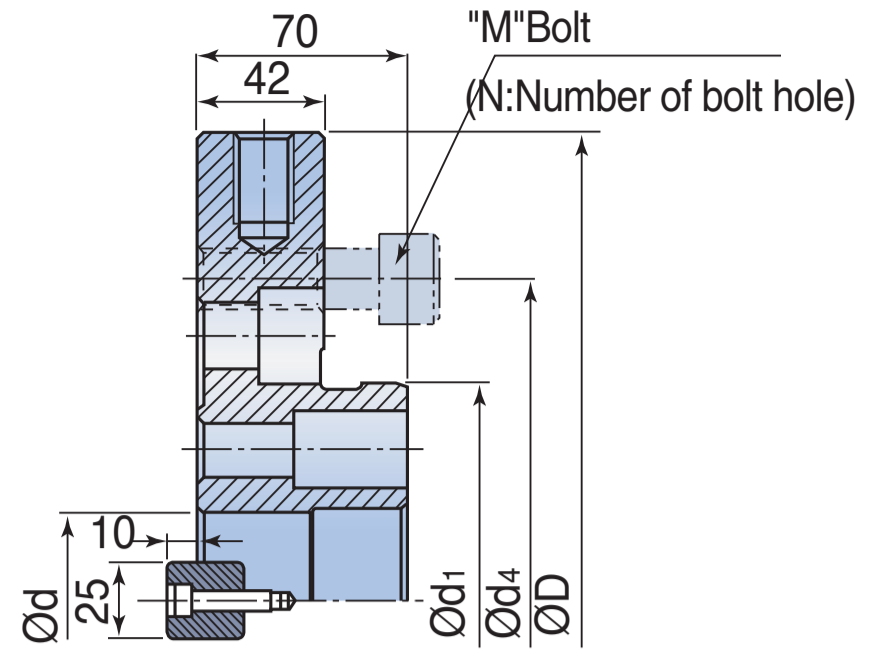
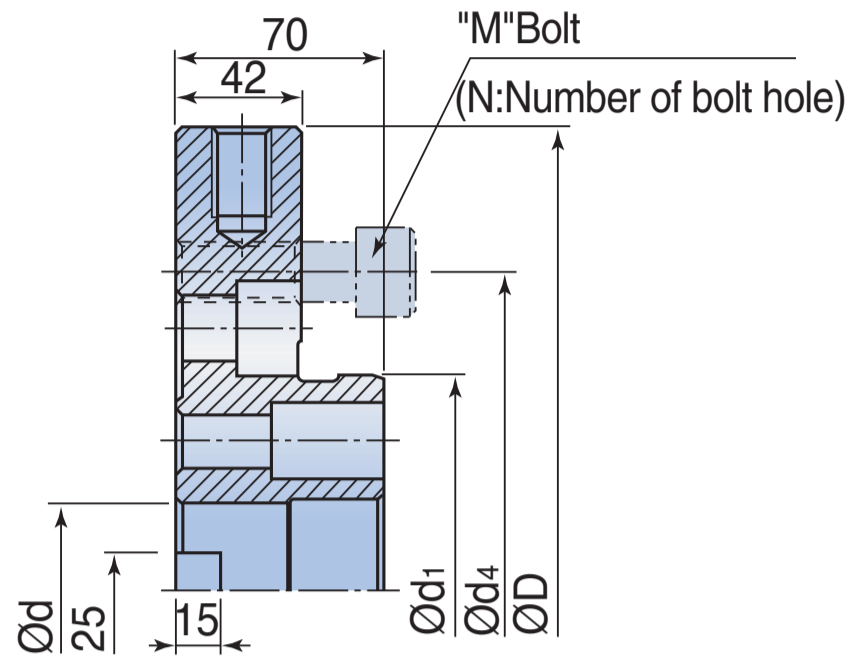


Fig.2



Designation	Dimension (mm)								Weight (Kg)
	D	d	d ₁	d ₂	d ₃	d ₄	M	N	
QA 08 K/M	198	47.625	63.5	101.6	-	114.3	M16x40	4	10
QA 10 K/M	248	60	133.35	101.6	-	177.8	M16x50	4	15
QA 12 K/M	313	60	146.05	101.6	177.8	215.9	M20x50	4	19.7
QA 14 K/M	353	60	215.9	101.6	177.8	260.4	M20x50	6	24
QA 16 K/M	398	60	254.0	101.6	177.8	304.8	M20x50	6	29

- K: Adapter with setting key (Fig.1)
- M: Adapter without setting key (Fig.2)

Clamping torque

► Recommended clamping torque for each screw

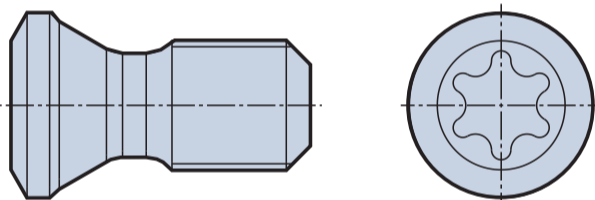


Fig.1

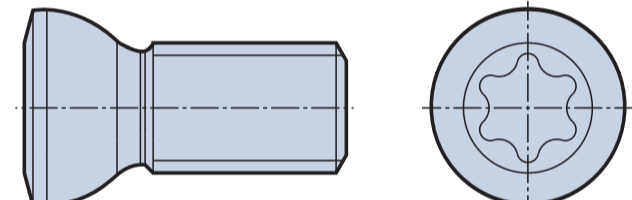
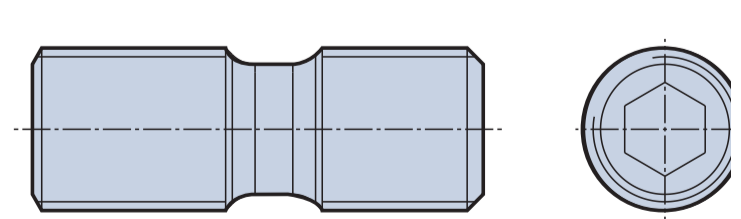
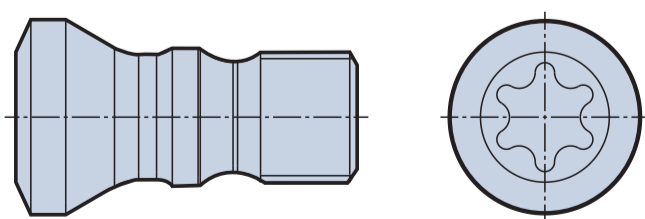


Fig.2

Designation	Thread	Length	Torx	Tightening Torque	Fig.
TS 18033/HG-P	M1.8	3.3	Torx Plus 6	0.5 Nm	1
TS 18041I/HG	M1.8	4.09	Torx Plus 6	0.5 Nm	1
TS 18041I/SG-P	M1.8	4.09	Torx Plus 6	0.5 Nm	1
TS 20043I/HG-P	M2	4.3	Torx Plus 6	0.6 Nm	1
TS 22046I	M2.2	4.6	Torx 7	0.9 Nm	1
TS 22052I/HG	M2.2	5.2	Torx 7	0.9 Nm	1
TS 25055I/HG	M2.5	5.5	Torx 8	1.2 Nm	1
TS 25075I/HG	M2.5	7.5	Torx 8	1.2 Nm	1
TS 25064I	M2.5	6.4	Torx 8	1.2 Nm	1
TS 25064I/HG-P	M2.5	6.4	Torx Plus 8	1.2 Nm	1
TS 25B024I/HG	M2.5	2.6	Torx Plus 7	0.9 Nm	1
TS 25B031I/HG	M2.5	3.3	Torx Plus 7	0.9 Nm	1
TS 25B042I/HG	M2.5	4.35	Torx Plus 7	0.9 Nm	1
TS 25B053I/HG	M2.5	5.45	Torx Plus 7	0.9 Nm	1
TS 25C065I/HG	M2.5	6.5	Torx 8	1.2 Nm	2
TS 30085I/HG	M3	8.5	Torx 9	2.0 Nm	1
TS 30A060I/HG	M3	6	Torx 9	2.0 Nm	1
TS 30B068I/HG	M3	6.8	Torx 8	1.2 Nm	1
TS 30D082-P	M3	8.2	Torx Plus 8	1.2 Nm	1
TS 35070I/HG	M3.5	7	Torx 15	3.0 Nm	1
TS 35085I/HG	M3.5	8.75	Torx 15	3.0 Nm	1
TS 35088I	M3.5	8.75	Torx 10	2.0 Nm	1
TS 35A070I/HG	M3.5	7	Torx Plus 10	2.0 Nm	1
TS 35A088I/HG	M3.5	8.75	Torx Plus 10	2.0 Nm	1
TS 35C110I	M3.5	11	Torx 15	3.0 Nm	2
TS 40085I/HG	M4	8.5	Torx 15	3.5 Nm	1

Designation	Thread	Length	Torx	Tightening Torque	Fig.
TS 40093I	M4	9.3	Torx 15	3.5 Nm	1
TS 40093I/HG	M4	9.3	Torx 15	3.5 Nm	1
TS 40097I	M4	9.7	Torx 15	3.5 Nm	1
TS 40120I	M4	12	Torx 15	3.5 Nm	1
TS 40120I/HG	M4	12	Torx 15	3.5 Nm	1
TS 40A100I	M4	10	Torx 15	3.5 Nm	1
TS 40A115I	M4	11.5	Torx 15	3.5 Nm	1
TS 40B100I	M4	10	Torx 15	3.5 Nm	2
TS 40G110I	M4	11	Torx 15	3.5 Nm	1
TS 40M100/HG	M4	10	Torx 15	3.5 Nm	2
TS 40K535I	M4	5.35	Torx 15	3.5 Nm	1
TS 40K065I	M4	6.5	Torx 15	3.5 Nm	1
TS 40K075I	M4	7.5	Torx 15	3.5 Nm	1
TS 40K085I	M4	8.5	Torx 15	3.5 Nm	1
TS 45120I	M4.5	12	Torx 20	5.0 Nm	2
TS 50105I	M5	10.5	Torx 20	5.0 Nm	1
TS 50115I	M5	11.5	Torx 20	5.0 Nm	1
TS 50A140I	M5	14	Torx 20	5.0 Nm	1
TS 50A121I/HG	M5	12.1	Torx 20	5.0 Nm	1
TS 50B106I/HG	M5	10.6	Torx 20	5.0 Nm	1
TS 50C130I/HG	M5	13	Torx 20	5.0 Nm	2
TS 50D130/HG-P	M5	13	Torx Plus 20	5.0 Nm	1
TS 60A130I	M6	13.5	Torx 25	6.0 Nm	2
TS 60A165I	M6	16.5	Torx 25	6.0 Nm	2
TS 60170I	M6	17	Torx 25	6.0 Nm	1



Designation	Thread	Length	Torx	Tightening Torque
TS 20F060A	M2	5	Torx 6	0.7 Nm
TS 25F080A	M2.5	6.9	Torx 8	1.1 Nm
TS 30F100A	M3	8.3	Torx 10	2.0 Nm
TS 40F120A	M4	10.6	Torx 15	4.0 Nm
TS 50F160A	M5	13.9	Torx 20	5.0 Nm
TS 60F200A	M6	16.7	Torx 25	6.0 Nm
TS 70F250A	M7	21	Torx 25	7.0 Nm
TS 80F300A	M8	25	Torx 30	8.0 Nm

Designation	Thread	Length	Torx	Tightening Torque
WS 4	M4	12.5	Hexa 2.0mm	1.5 Nm
WS 5	M5	14	Hexa 2.5mm	3.3 Nm
WS 6	M6	15	Hexa 3mm	5 Nm
WS 8	M8	21	Hexa 4mm	7 Nm