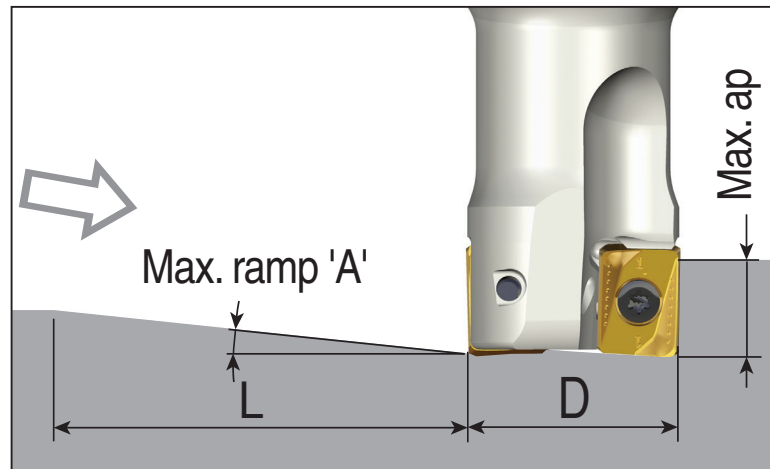
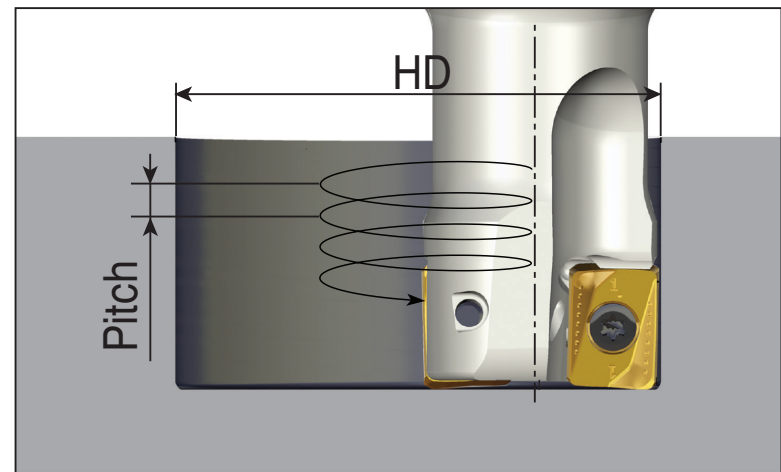


Ramping Data

Straight ramping



Helical ramping



ANH(M)X 16

(unit: mm)

Cutter dia.(D)	Straight ramp down			Helical ramp down		
	Max. ramp (A°)	Max. ap	Min. length (L)	Min. dia.(HD)	Max. dia.(HD)	Max. pitch/rev.
Ø32	1.2	15.0	716	44		0.7
					64	1.8
Ø33	1.0	15.0	560	46		0.6
					66	1.5
Ø40	0.9	15.0	955	60		0.8
					80	1.7
Ø50	0.8	15.0	1075	80		1.1
					100	1.9
Ø63	0.6	15.0	1433	106		1.2
					126	1.8
Ø80	0.45	15.0	1911	140		1.3
					160	1.7
Ø100	0.35	15.0	2457	180		1.3
					200	1.6
Ø125	0.25	15.0	3439	230		1.2
					250	1.5
Ø160	0.15	15.0	5732	300		1.0
					320	1.1
Ø200	0.1	15.0	8599	380		0.8
					400	0.9