

Cartridge (1,2,3, 4,7)

DCN - DCX	Peripheral		Intermediate		Central
	①	②	③	④	⑦
107 - 117.99	PERC 402 - 43	CENC 402 - 32	CENC 402 - 32	CENC 402 - 32	CENC 402 - 43
118 - 135.99	PERC 402 - 43	CENC 402 - 43	CENC 402 - 43	CENC 402 - 43	CENC 402 - 43
136 - 144.99	PERC 402 - 43	CENC 402 - 43	CENC 402 - 43	CENC 402 - 43	CENC 402 - 63
145 - 150.99	PERC 402 - 43	CENC 402 - 43	CENC 402 - 63	CENC 402 - 43	CENC 402 - 63
151 - 156.99	PERC 402 - 63	CENC 402 - 43	CENC 402 - 63	CENC 402 - 43	CENC 402 - 63
157 - 162.99	PERC 402 - 63	CENC 402 - 43	CENC 402 - 63	CENC 402 - 63	CENC 402 - 63
163 - 168.99	PERC 402 - 63	CENC 402 - 63	CENC 402 - 63	CENC 402 - 63	CENC 402 - 63

Cartridge & Insert (1,2,3, 4,7)

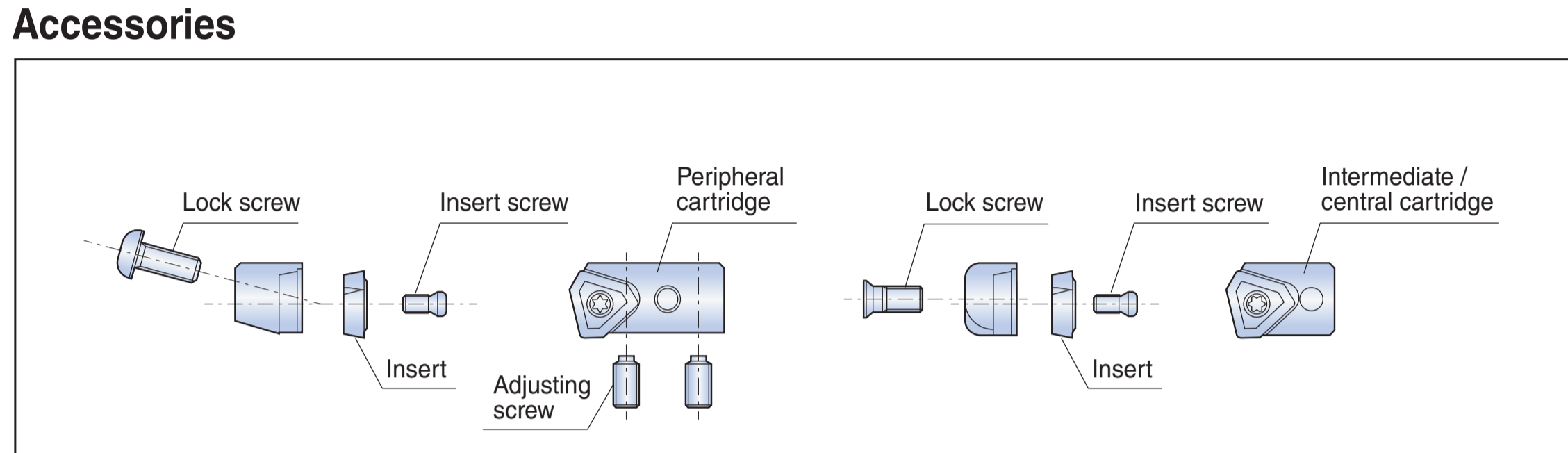
DCN - DCX	Peripheral ①		Intermediate & Central ②③④⑦	
	Cartridge	Insert	Cartridge	Insert
-	-	-	CENC 402 - 32	TPMX 170408R-G
PERC 402 - 43	TPMX 240512R-G	-	CENC 402 - 43	TPMX 240512R-G
PERC 402 - 63	TPMX 280716R-G	-	CENC 402 - 63	TPMX 280716R-G

Guide Pad (8,9,10,11)

DCN - DCX	Guide Pad ⑧		Filler ⑨		Protector ⑩		Sub guide pad ⑪	
	QTY		QTY		QTY		QTY	
107 - 135.99	2	PAD-GP18-40-300-DC-SB	1	FILLER18	2	PAD-P18	1	PAD-S14
136 - 168.99	4	PAD-GP18-40-300-DC-SB	1	FILLER18	4	PAD-P18	1	PAD-S14

► Insert and guide pad are sold separately from drill body.

Accessories



Peripheral inserts and accessories

Cartridge	Insert	Adjusting screw	Wrench	Lock screw	Wrench
PERC 05R	NPMX 080308R-G	AS0003-5	H1.5	LS1803RH	H2
PERC 402-04	TPMX 140308R-G	AS0004-8	H2	LS1803.5RH	H2.5
PERC 402-32	TPMX 170408R-G	AS0005-10	H2.5	LS1805RH	H3
PERC 402-43	TPMX 240512R-G	AS0005-15	H2.5	LS1806RH	H4
PERC 402-63	TPMX 280716R-G	AS0006-15	H3	LS1806RH	H4

Central and intermediate inserts and accessories

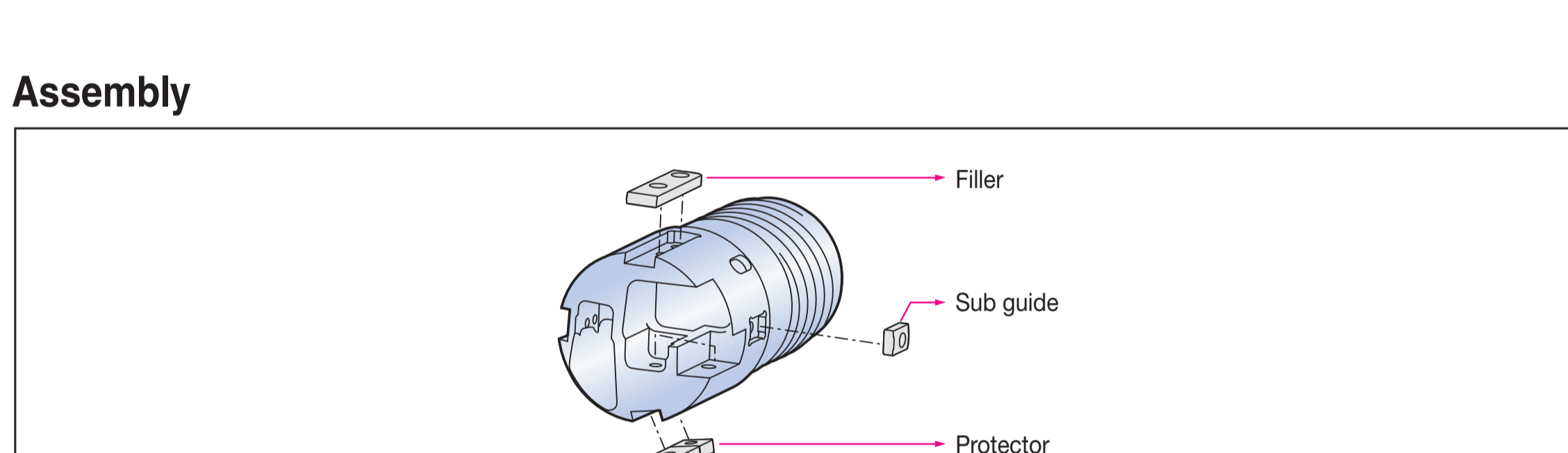
Cartridge	Insert	Lock screw		Wrench	
		Inter. Cart.	Gen. Cart.	< ø151.00	ø151.00 =<
CENC 05R	NPMX 080308R-G		CSTB-3	T-9D	
CENC 402-04	TPMX 140308R-G		CSTB-3.5	T-15D	
CENC 402-32	TPMX 170408R-G		CSTA-5	T-15D	
CENC 402-43	TPMX 240512R-G		LS1206	H3	H3L
CENC 402-63	TPMX 280716R-G	LS1206	LS1206S (CICT3) LS1206 (CICT5, 7)	H3	H3L

Spare part for Inserts

Insert	Insert screw	Wrench
NPMX 080308R-G	CSTB-2.2	T-7LB-L
TPMX 140308R-G	CSTB-2.5	T-8LB-L
TPMX 170408R-G	CSTB-3.5D	T-9LB-L
TPMX 240512R-G	CSTB-4M	T-15LB-L
TPMX 280716R-G	CSTB-5	T-20LB-L

- Peripheral cartridges are supplied with the adjusting screws and insert screw (inserts, lock screw and wrenches are not included)
- Central and intermediate cartridges are supplied with insert screw (inserts, lock screw and wrenches are not included)

Assembly



Guide pads, protectors, fillers and accessories

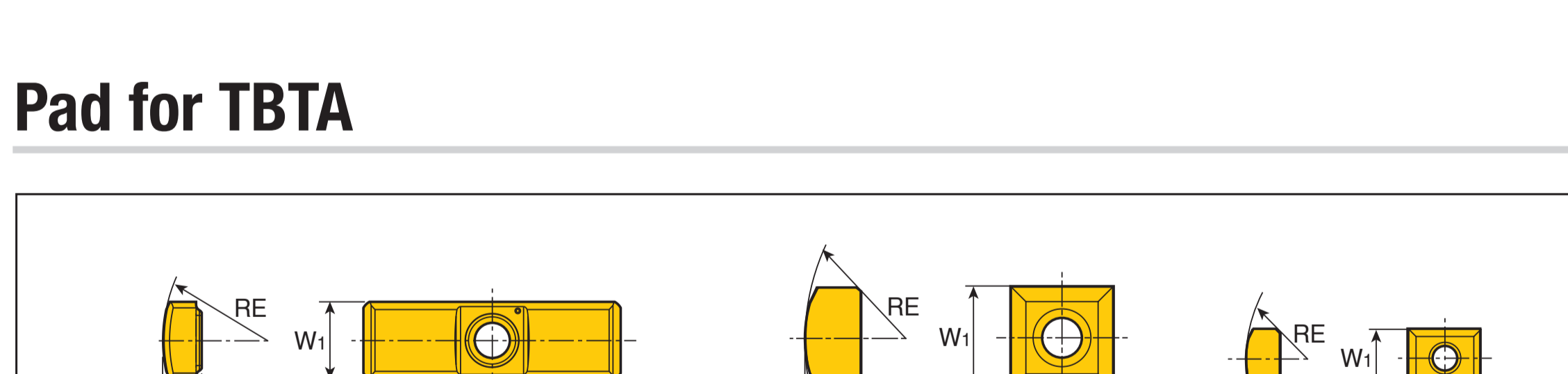
Guide pad	Protector	Filler	Lock screw	Wrench
PAD-GP08-25-155-DC-SB	PAD-P08	FILLER08	CSTB-3S	T-9D
PAD-GP10-35-200-DC-SB	PAD-P10	FILLER10	CSTB-4S	T-15D
PAD-GP14-40-250-DC-SB	PAD-P14	FILLER14	CSTA-5S	T-15D
PAD-GP18-40-300-DC-SB	PAD-P18	FILLER18	LS1206S / LS1206SS	H3

Sub guide pad and accessories

Guide pad	Lock screw	Wrench
PAD-GP08-25-155-DC-SB	PAD-P08	T-9D
PAD-GP10-35-200-DC-SB	PAD-P10	T-15D
PAD-GP14-40-250-DC-SB	PAD-P14	T-15D
PAD-GP18-40-300-DC-SB	PAD-P18	H3

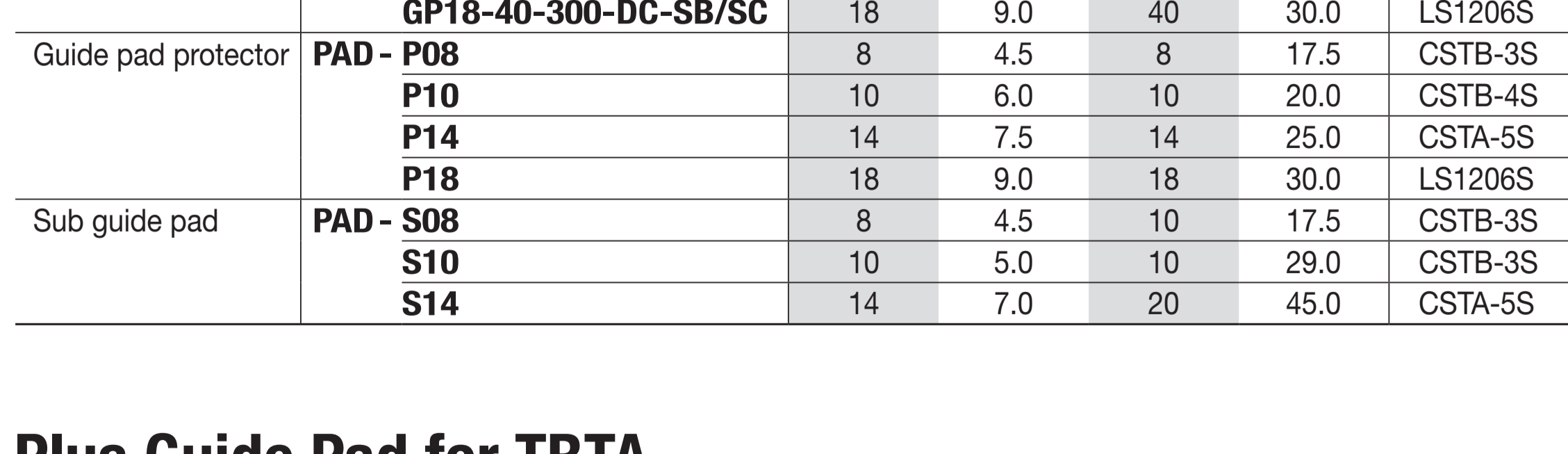
► Insert and guide pad are sold separately from drill body.

Pad for TBTA



Designation	Dimension (mm)				Screw	
	W1	S	INSL	RE		
Guide pad	PAD - GP08-25-155-DC-SB	8	4.5	25	15.5	CSTB-3S
	GP08-25-155-DC-SC	8	4.5	25	15.5	CSTB-3S
	GP10-35-200-DC-SB	10	6.0	35	20.0	CSTB-4S
	GP10-35-200-DC-SC	10	6.0	35	20.0	CSTB-4S
	GP14-40-250-DC-SB/SC	14	7.5	40	25.0	CSTA-5S
	GP18-40-300-DC-SB/SC	18	9.0	40	30.0	LS1206S
Guide pad protector	PAD - P08	8	4.5	8	17.5	CSTB-3S
	P10	10	6.0	10	20.0	CSTB-4S
	P14	14	7.5	14	25.0	CSTA-5S
	P18	18	9.0	18	30.0	LS1206S
Sub guide pad	PAD - S08	8	4.5	10	17.5	CSTB-3S
	S10	10	5.0	10	29.0	CSTB-3S
	S14	14	7.0	20	45.0	CSTA-5S

Plus Guide Pad for TBTA



• Plus guide pad for diameter enlargement

Designation								
DC	PAD-GC08	S	PAD-GC10	S	PAD-GC14	S	PAD-GC18	S
DC+1mm	PAD-GC08-DC+1	5.0	PAD-GC10-DC+1	6.5	PAD-GC14-DC+1	8.0	PAD-GC18-DC+1	9.5
DC+2mm	PAD-GC08-DC+2	5.5	PAD-GC10-DC+2	7.0	PAD-GC14-DC+2	8.5	PAD-GC18-DC+2	10.0
DC+3mm	PAD-GC08-DC+3	6.0	PAD-GC10-DC+3	7.5	PAD-GC14-DC+3	9.0	PAD-GC18-DC+3	10.5
DC+4mm	-	-	PAD-GC10-DC+4	8.0	PAD-GC14-DC+4	9.5	PAD-GC18-DC+4	11.0
DC+5mm	-	-	-	-	PAD-GC14-DC+5	10.0	PAD-GC18-DC+5	11.5