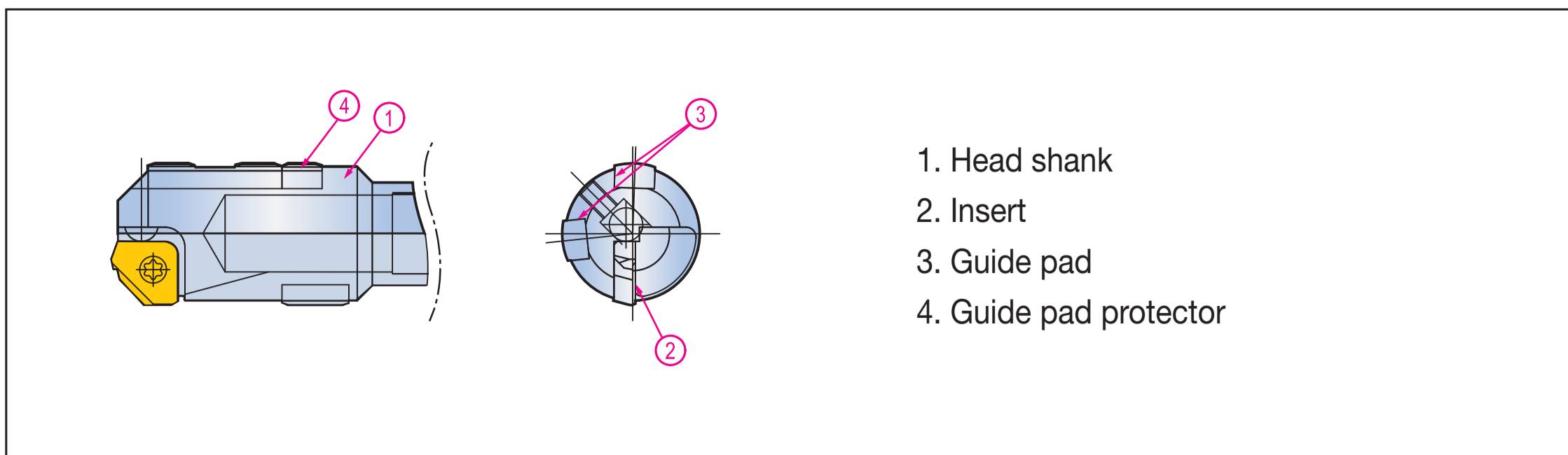


Assembly

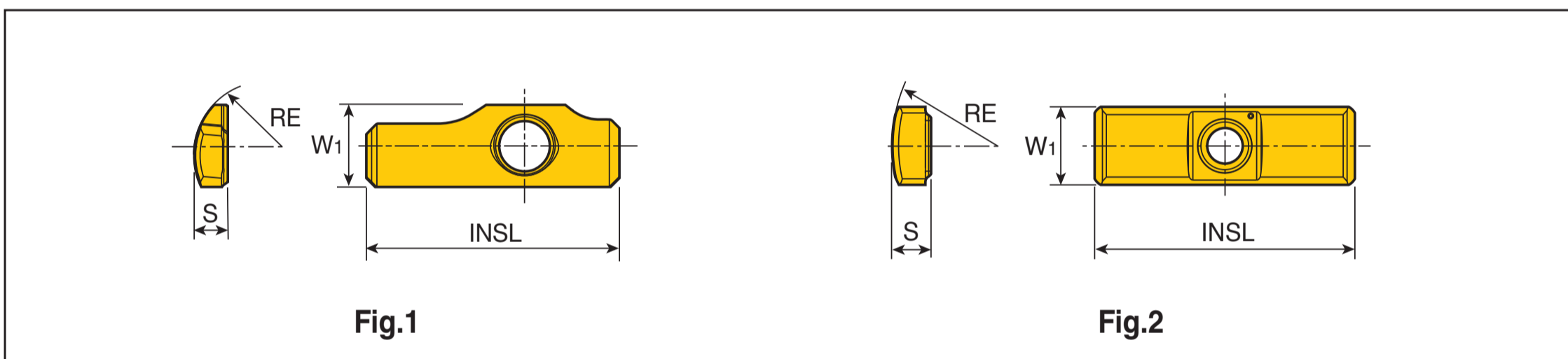


Parts		Diameter (mm)				
		25.00-27.99	28.00-29.99	30.00-37.99	38.00-39.99	
Close tolerance	Cartridge	Adjust ball	BALL5	BALL5	BALL5	BALL5
		Adjust screw	AS0005-5	AS0005-5	AS0005-5	AS0005-5
		Wrench	H2.5	H2.5	H2.5	H2.5
	Insert	Screw	-	-	-	-
		Wrench	-	-	-	-
		Insert	XPMT 16002-45	XPMT 16002-45	XPMT 16002-45	XPMT 16002-45
		Screw	CSTA-NO3	CSTA-NO3	CSTA-NO3	CSTA-NO3
Normal tolerance	Cartridge	Peripheral	-	-	-	-
		Adjust screw	-	-	-	-
		Wrench	-	-	-	-
		Screw	-	-	-	-
		Wrench	-	-	-	-
	Insert	Insert	XPMT 16002-45	XPMT 16002-45	XPMT 16002-45	XPMT 16002-45
		Screw	CSTA-NO3	CSTA-NO3	CSTA-NO3	CSTA-NO3
Pad	Guide pad (A)	PAD-GP06-20-120-DC-SB	PAD-GP06-20-120-DC-SB	PAD-GP07-20-120-DC-SB	PAD-GP08-25-155-DC-SB	
		PAD-GP06-20-120-DC-SC	PAD-GP06-20-120-DC-SC	PAD-GP07-20-120-DC-SC	PAD-GP08-25-155-DC-SC	
		Screw	CSTB-2.2S	CSTB-2.2S	CSTB-3S	CSTB-3S
	Guide pad protector (B)	Wrench	T-9D	T-9D	T-9D	T-9D
		Screw	-	-	-	PAD-P08
		Wrench	-	-	-	CSTB-3S
	Resin guide pad (C)	Wrench	-	-	-	T-9D
		PAD-R10	PAD-R10	PAD-R12	PAD-R15	
		Screw	LS0902, 5-6	LS0902, 5-6	LS0903-8	LS0904-10
Wrench	-	-	H2	H2.5		

- ▶ A+B is for outer four start thread connection type
- ▶ A+C is for inner single start thread connection type

Pad for TBTA-TR & TRGD, TRGD3, TRGDL

Solid carbide guide pads

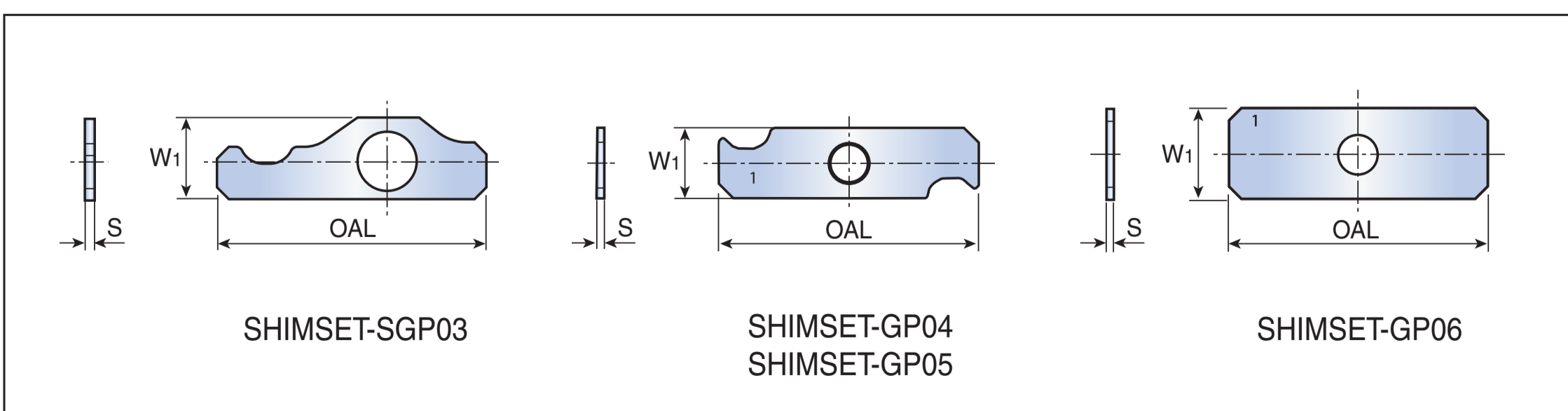
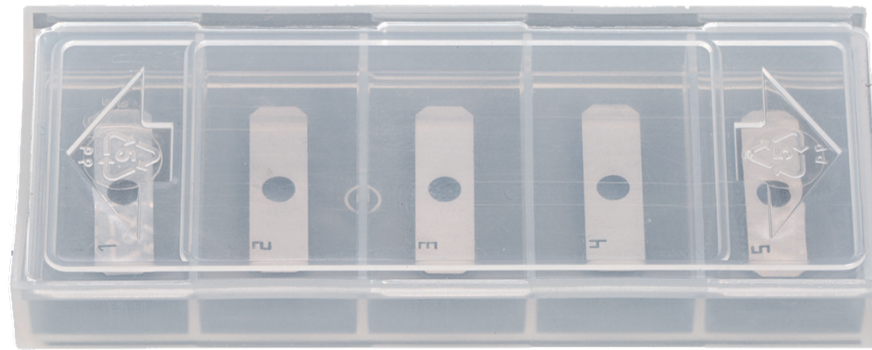


Designation	Fig.	Dimension (mm)				Screw
		W1	S	INSL	RE	
Guide pad PAD - SGP03-12-035-DC-SB	1	3.9	1.6	12	3.5	CSPB-2FL2.7-LH
SGP03-12-040-DC-SB	1	3.9	1.6	12	4.0	CSPB-2FL3.1
GP04-16-045-DC-SB	2	4	1.8	16	4.5	CSTB-2
GP04-16-050-DC-SB	2	4	1.8	16	5.0	CSTB-2
GP04-16-055-DC-SB	2	4	2.0	16	5.5	TS 20043I/HG-P
GP04-16-055-DC-SC	2	4	2.0	16	5.5	TS 20043I/HG-P
GP05-18-060-DC-SB	2	5	2.5	18	6.0	SR34-508
GP05-18-060-DC-SC	2	5	2.5	18	6.0	SR34-508
GP05-18-075-DC-SB	2	5	2.5	18	7.5	SR34-508
GP05-18-075-DC-SC	2	5	2.5	18	7.5	SR34-508
GP06-20-085-DC-SB	2	6	3.0	20	8.5	SR34-508
GP06-20-085-DC-SC	2	6	3.0	20	8.5	SR34-508
GP06-20-100-DC-SB	2	6	3.0	20	10.0	SR34-508
GP06-20-100-DC-SC	2	6	3.0	20	10.0	SR34-508
GP06-20-120-DC-SB	2	6	3.0	20	12.0	SR34-508
GP06-20-120-DC-SC	2	6	3.0	20	12.0	SR34-508
GP07-20-120-DC-SB	2	7	3.5	20	12.0	CSTB-3S
GP07-20-120-DC-SC	2	7	3.5	20	12.0	CSTB-3S
GP08-25-155-DC-SB	2	8	4.5	25	15.5	CSTB-3S
GP08-25-155-DC-SC	2	8	4.5	25	15.5	CSTB-3S

Pad for TBTA-TR & TRGD, TRGD3, TRGDL

Shim thickness:

There are numbers marked on each shim: 1-5.
 The number on the shim indicates the shim's thickness.
 1=0.01 mm, 2=0.02 mm, 3=0.03 mm
 4=0.04 mm, 5=0.05 mm



Item #	Designation	W1 (mm)	OAL (mm)	S (mm)	Applicable guide pad size
6285255	SHIMSET-SGP03	3.45	11.4	0.01-0.05	PAD-SGP03
6285255	SHIMSET-GP03	4	16	0.01-0.05	PAD-GP04
6285255	SHIMSET-GP05	5	18	0.01-0.05	PAD-GP05
6285255	SHIMSET-GP06	6	20	0.01-0.05	PAD-GP06

- ▶ The shim set consists of five shims in different thickness: 0.01, 0.02, 0.03, 0.04, 0.05 mm
- ▶ Shims are sold by set only, and are not to be sold separately